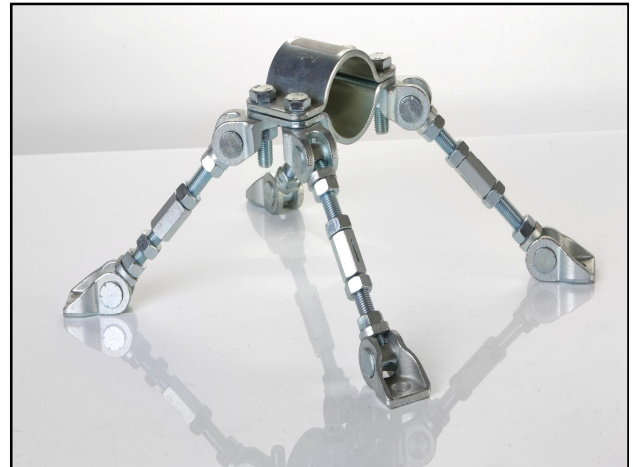




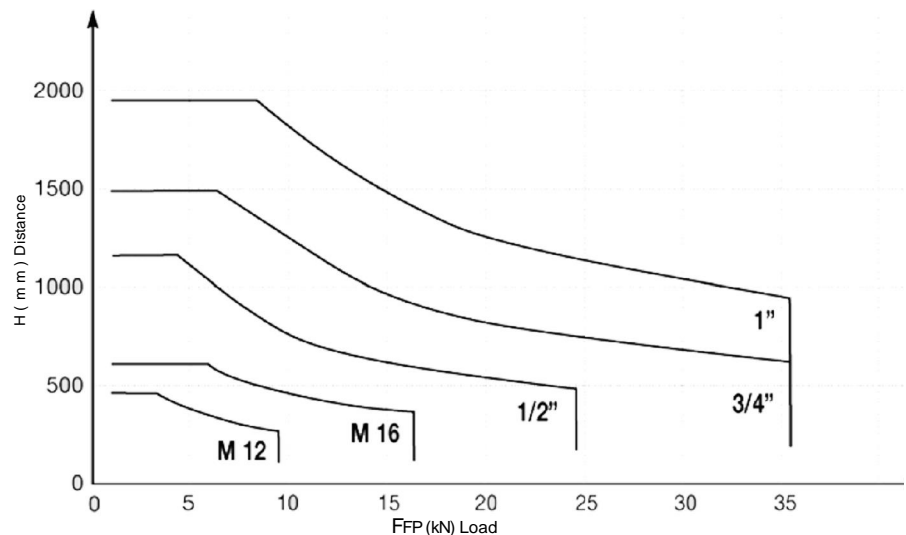
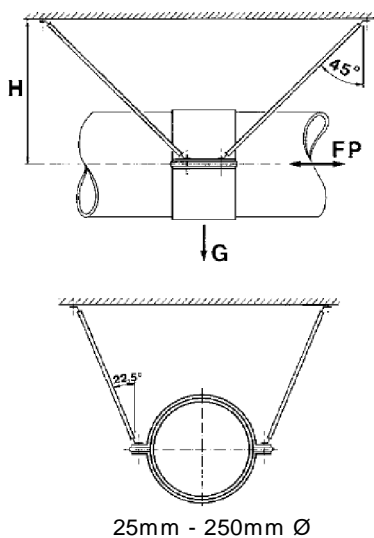
## Type JP170 Suspended Pipe Anchor

**Specification** Electro-galvanized carbon steel pipe anchor consisting of a 2 part fixed point clamp complete with 4 angular braces and fixing kit.

**Application** Stourflex pipe anchors are designed to provide the fixed points necessary when expansion joints are to be installed. The pipe anchor is a readily available alternative to fabricating and welding on site. The anchor can be supplied fully assembled or in kit form. The pipe anchor is rated for loads of between 5kN - 35kN and is suitable for ceiling floor and wall mounted pipework installations.



### Load Carrying Capabilities



Stourflex strongly advise that anyone installing the JP172 (or indeed any anchor) into a riser application have a flange, lug or similar welded onto the pipe to help prevent the anchor slipping.

Complete range of fixed point clamps available for ABS, PVC, CPVC, Copper, Stainless Steel and Carbon Steel pipework.

Type JP170 Suspended Pipe Anchor can be installed with sound absorbers when it is necessary to ensure that noise or vibration is not transmitted through the buildings structure.

For small bore pipework with loads of up to 2kN the Type JP175 suspended pipe anchor can be supplied complete with 2 angular braces.

Pipework containing expansion joints must be securely anchored and adequately guided to ensure the correct performance of the system. Omitting anchors and guides may result in failure of the system.

Stourflex suspended pipe anchors should be installed in accordance with our fittings instructions a copy of which is supplied with each delivery.